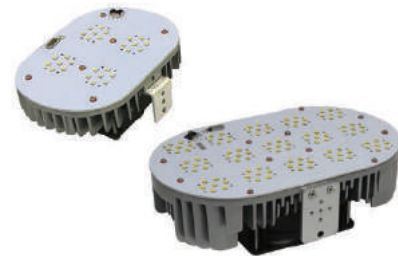


LED SHOEBOX LIGHT SERIES - 100-277V

FEATURES

- Environmentally friendly; free of mercury and lead
- Works well in environments with high humidity
- Enclosed rated
- UL & DLC listed
- Suitable for damp locations
- Five-year warranty



APPLICATION

Parking Lots, Street Lighting, High Bay Fixtures, Shoebox Fixtures, Wall Pack Fixtures, Canopy Fixtures, and other outdoor applications



SA/NB: STOCK AVAILABLE / NO BACKORDER S

Technical Specification

Part No.	Watt. (W)	Lumens (lm)	Voltage	HID/CFL Equiv.	DLC	DLC V4.0	Live Status
RSB060C0101 5700K	60	6000	AC100-277V 50/60Hz	175/85	LISTED	✓	SA/NB
RSB080C0101 5700K	80	8500	AC100-277V 50/60Hz	250/150	LISTED	✓	SA/NB
RSB100C0101 5700K	100	10500	AC100-277V 50/60Hz	320/250	LISTED	✓	SA/NB
RSB120C0101 5700K	120	12500	AC100-277V 50/60Hz	500/350	LISTED	✓	SA/NB
RSB150D01 5700K	150	16000	AC100-277V 50/60Hz	600/400	LISTED	✓	SA/NB
RSB200D01 5700K	200	21000	AC100-277V 50/60Hz	750/500	LISTED	✓	SA/NB
RSB320D01 5700K	320	31500	AC100-277V 50/60Hz	1000/750	LISTED	✓	SA/NB
RSB400D01 5700K	400	42000	AC100-277V 50/60Hz	1200/1000	LISTED	✓	SA/NB

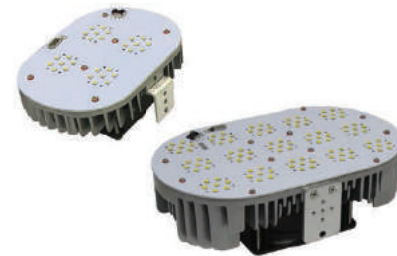
CRI(Ra)	70
PF	0.9
Beam Angle	120
Base Type	Universal
Driver Brand	Meanwell
Dimmable	NO
Working Temperature (°C)	-20~+45
Lifetime (H)	50000
Suitable Location	Damp

Please consult with a lighting designer for floor/sports field lighting applications

LED SHOEBOX LIGHT SERIES - 200-480V

FEATURES

- Environmentally friendly; free of mercury and lead
- Works well in environments with high humidity
- Enclosed rated
- UL & DLC listed
- Suitable for damp locations
- Five-year warranty



INV: INVENTORY

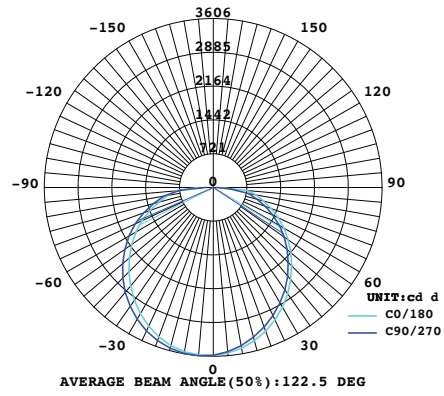
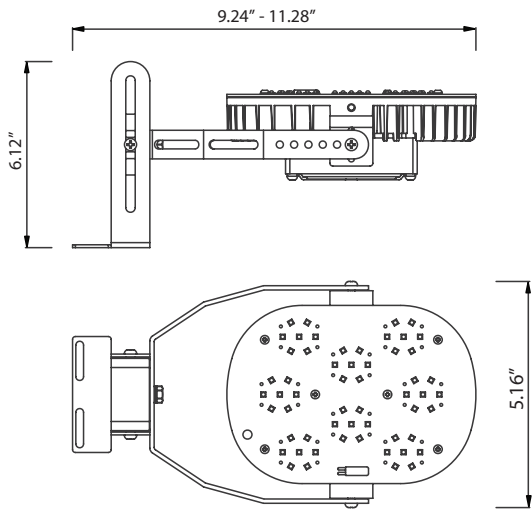
APPLICATION

Parking Lots, Street Lighting, High Bay Fixtures, Shoebox Fixtures, Wall Pack Fixtures, Canopy Fixtures, and other outdoor applications

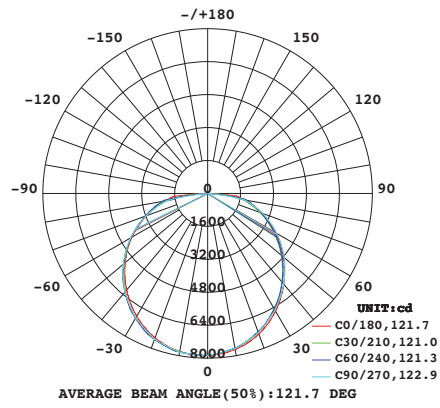
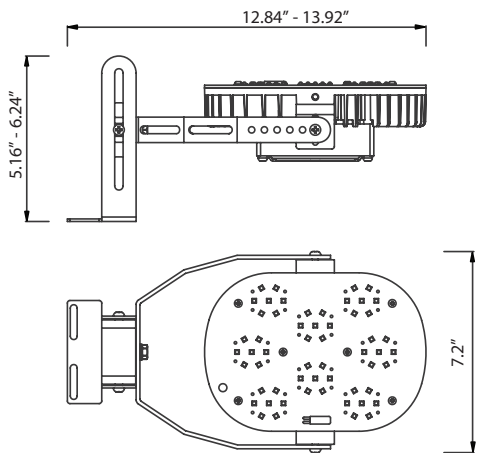
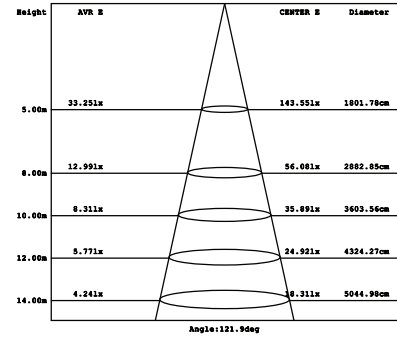


Technical Specification

Part No.	Watt. (W)	Lumens (lm)	Voltage	HID/CFL Equiv.	DLC	DLC V4.0	Live Status
RSB080D02 5700K	80	8500	AC 200-480V 50/60Hz	250/150	LISTED	✓	INV
RSB105D02 5700K	105	10500	AC 200-480V 50/60Hz	320/250	LISTED	✓	INV
RSB120D02 5700K	120	12000	AC 200-480V 50/60Hz	500/350	LISTED	✓	INV
RSB150D02 5700K	150	16000	AC 200-480V 50/60Hz	600/400	LISTED	✓	INV
RSB240D02 5700K	240	25000	AC 200-480V 50/60Hz	750/500	LISTED	✓	INV
RSB400D02 5700K	400	42000	AC 200-480V 50/60Hz	1200/1000	LISTED	✓	INV
CRI(Ra)		70					
PF		0.9					
Beam Angle		120					
Base Type		Universal					
Driver Brand		Meanwell					
Dimmable		NO					
Working Temperature (°C)		-20~+45					
Lifetime (H)		50000					
Suitable Location		Damp					
Please consult with a lighting designer for floor/sports field lighting applications							



80W



240W

